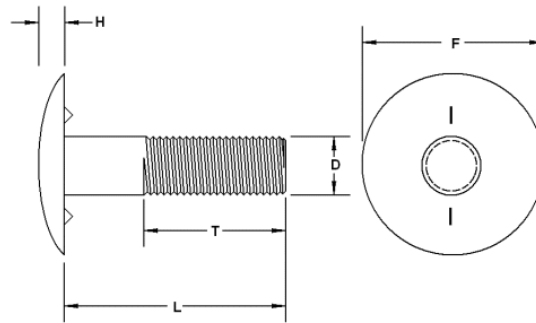


Timber Bolts



Bolt Diameter	Body Diameter D , Max	Head Diameter	Head Height
3/8	0.388	1-5/16	3/16
1/2	0.515	1-3/4	1/4
5/8	0.642	1-15/16	5/16
3/4	0.768	2-1/4	3/8
7/8	0.895	2-5/8	7/16
1	1.022	2-7/8	1/2
1-1/8	1.149	2-7/8	1/2
1-1/4	1.277	2-7/8	1/2
1-3/8	1.404	2-7/8	1/2
1-1/2	1.531	2-7/8	1/2